

# Water-circulating pumps with DC motors

## Application

Please contact us if the pumps are to be used for fluids other than water.

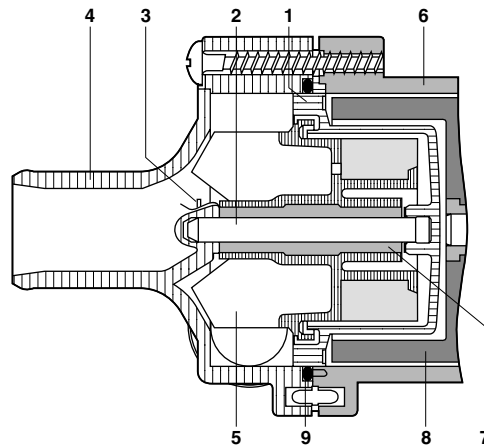
## Type

Centrifugal pumps with magnetic coupling, no seal between motor and pump, therefore leak-free.

### Note!

These water-circulating pumps are not self-priming.

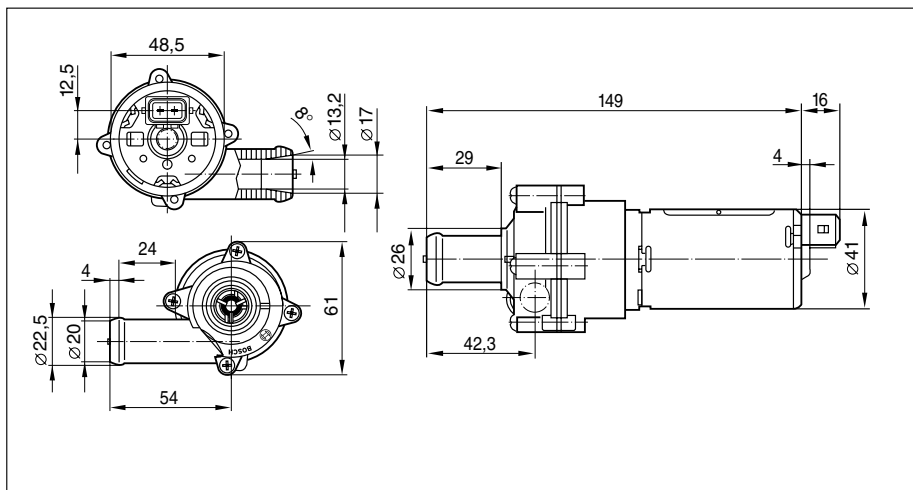
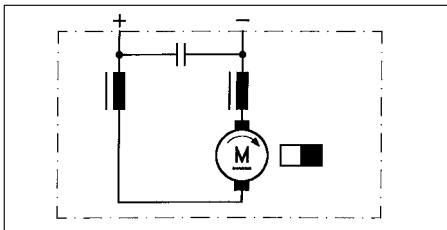
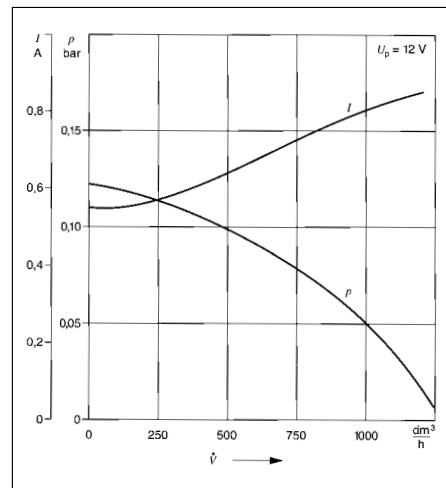
1 Pump housing (polyetherimide with glass fibers). 2 Bearing pin (stainless steel). 3 Thrust ring (stainless steel). 4 Pump housing (polyamide 66, by choice polyetherimide with glass fiber). 5 Impeller (plasto-ferrite). 6 Pump housing (polyamide 6 with mineral fibers and short glass fibers). 7 Bearing bush (resin-bonded carbon). 8 Magnet (plasto-ferrite). 9 O-Ring (soft silicone rubber, by choice EPDM).



# PAA

## 12 V

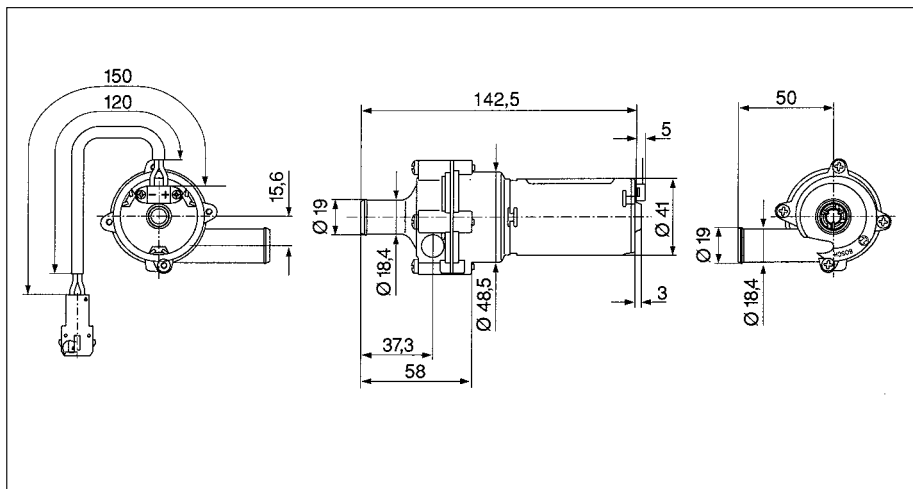
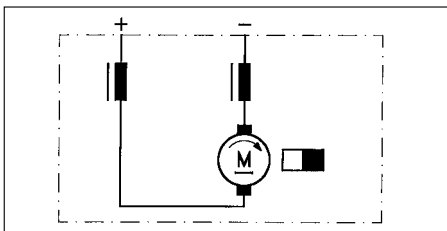
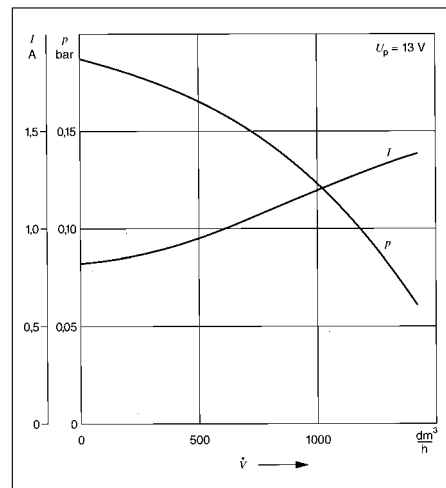
Nominal voltage	$U_N$	12 V
Delivery	$\dot{V}$	500 dm <sup>3</sup> · h <sup>-1</sup>
Delivery pressure	$p$	0.1 bar
Direction of rotation		R
Type of duty		S 1
Degree of protection		IP 5 K 0
Weight		approx. 0.4 kg
Part number		<b>0 392 020 024</b>



# PAA

## 12 V

Nominal voltage	$U_N$	12 V
Delivery	$\dot{V}$	1200 dm <sup>3</sup> · h <sup>-1</sup>
Delivery pressure	$p$	0.1 bar
Direction of rotation		R
Type of duty		S 1
Degree of protection		IP 5 K 4*
Weight		approx. 0.5 kg
Part number		<b>0 392 020 064</b>



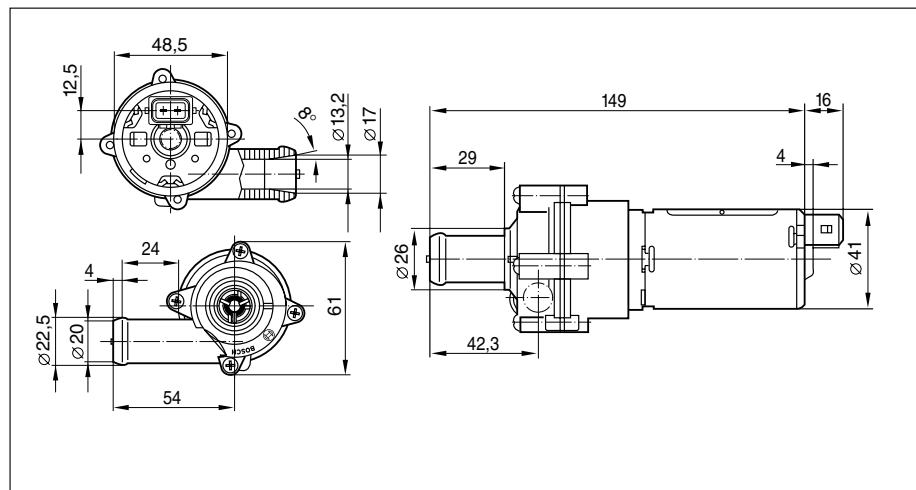
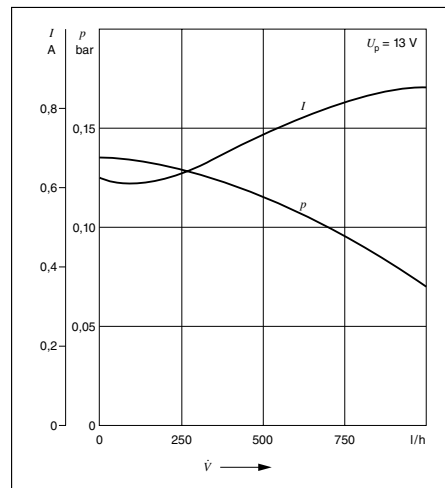
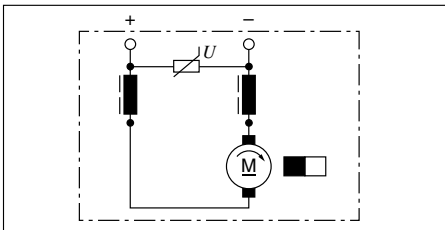
\* Applies only with receptacle housing in place

## PAA

## 12 V

Nominal voltage	$U_N$	12 V
Delivery	$\dot{V}$	530 dm <sup>3</sup> · h <sup>-1</sup>
Delivery pressure	$p$	0.1 bar
Direction of rotation		R
Type of duty		S 1
Degree of protection		IP 5 K 4*
Weight		approx. 0.4 kg
Part number		<b>0 392 020 039</b>

\* Applies only with receptacle housing in place

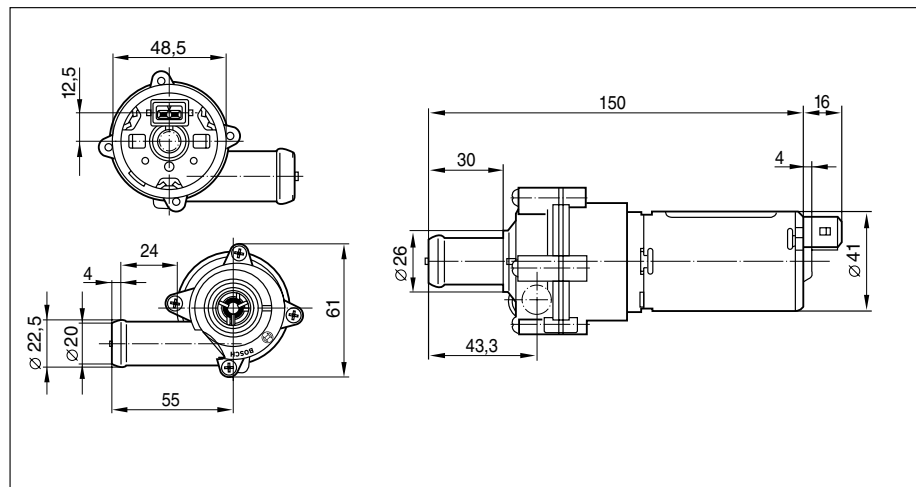
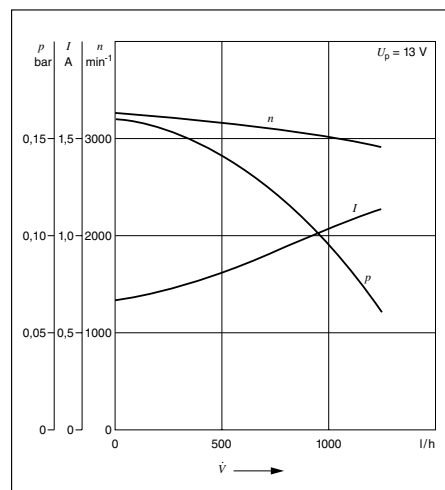
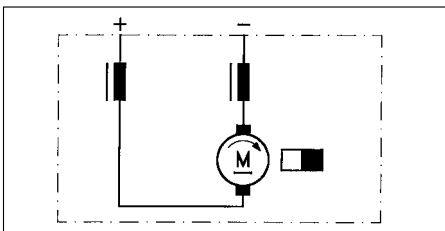


## PAA

## 12 V

Nominal voltage	$U_N$	12 V
Delivery	$\dot{V}$	750 dm <sup>3</sup> · h <sup>-1</sup>
Delivery pressure	$p$	0.1 bar
Direction of rotation		R
Type of duty		S 1
Degree of protection		IP 5 K 4*
Weight		approx. 0.4 kg
Part number		<b>0 392 020 034</b>

\* Applies only with receptacle housing in place

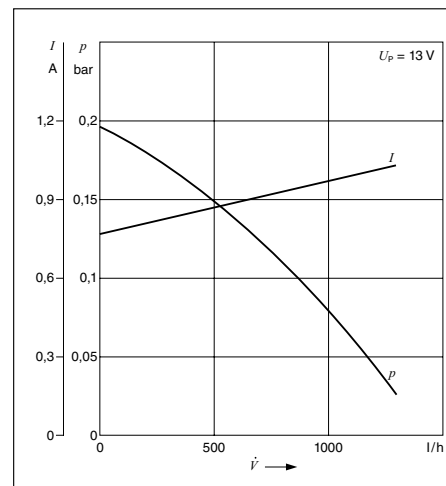


# PAD

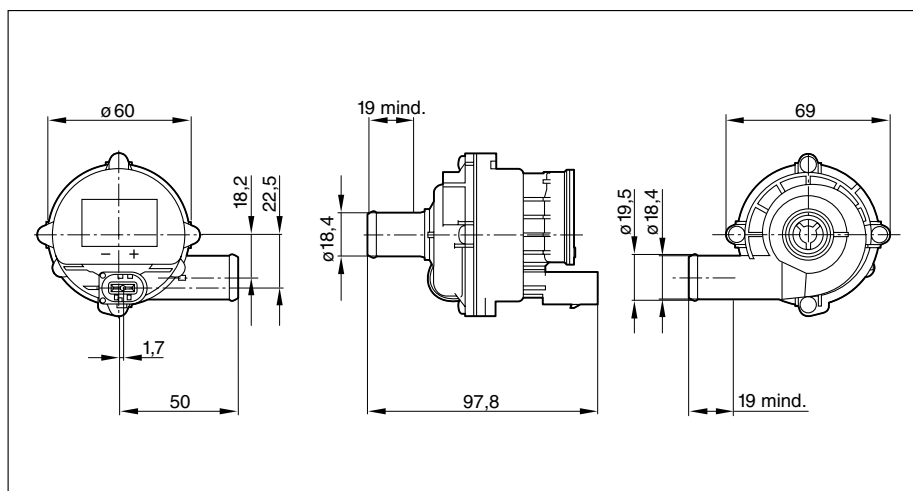
## Water-circulating pump driven by brushless motor

### 12 V

Nominal voltage	$U_N$	12 V
Delivery	$\dot{V}$	850...1050 dm <sup>3</sup> · h <sup>-1</sup>
Delivery pressure	$p$	0.1 bar
Direction of rotation		R
Type of duty		S 1
Degree of protection		IP 54
Weight		approx. 0.25 kg
Part number		<b>0 392 023 004</b>



Circuit diagram for connection please contact us



This is a centrifugal water pump driven by a brushless permanent-magnet electric motor. Armature torque is transferred to the pump's impeller wheel by means of magnetic connection through a permanent-magnet coupling.

The advantages of the PAD auxiliary water pump compared to pumps operating with carbon brushes are as follows:

- Reduced length
- Less weight
- Increased service life
- Less noise

### Important information concerning pump operation

1. Pump can be fitted in any position from horizontal to vertical.
2. Pump stage at the bottom.
3. Before taking the pump into operation it must be vented, or filled completely with the liquid to be pumped.