

FRAME

GENERAL

To rough check a frame for correct alignment see Figures 29, 2-30. The dimensions shown will provide enough information to determine whether a frame is far enough out of alignment to require a major realigning job or replacement.

Because straightening a badly bent frame requires special tools and fixtures for holding, bending and gauging, this service is only offered by some of the larger dealerships.

CAUTION — A frame that is badly bent or damaged should be replaced since it is questionable that it can be repaired economically.

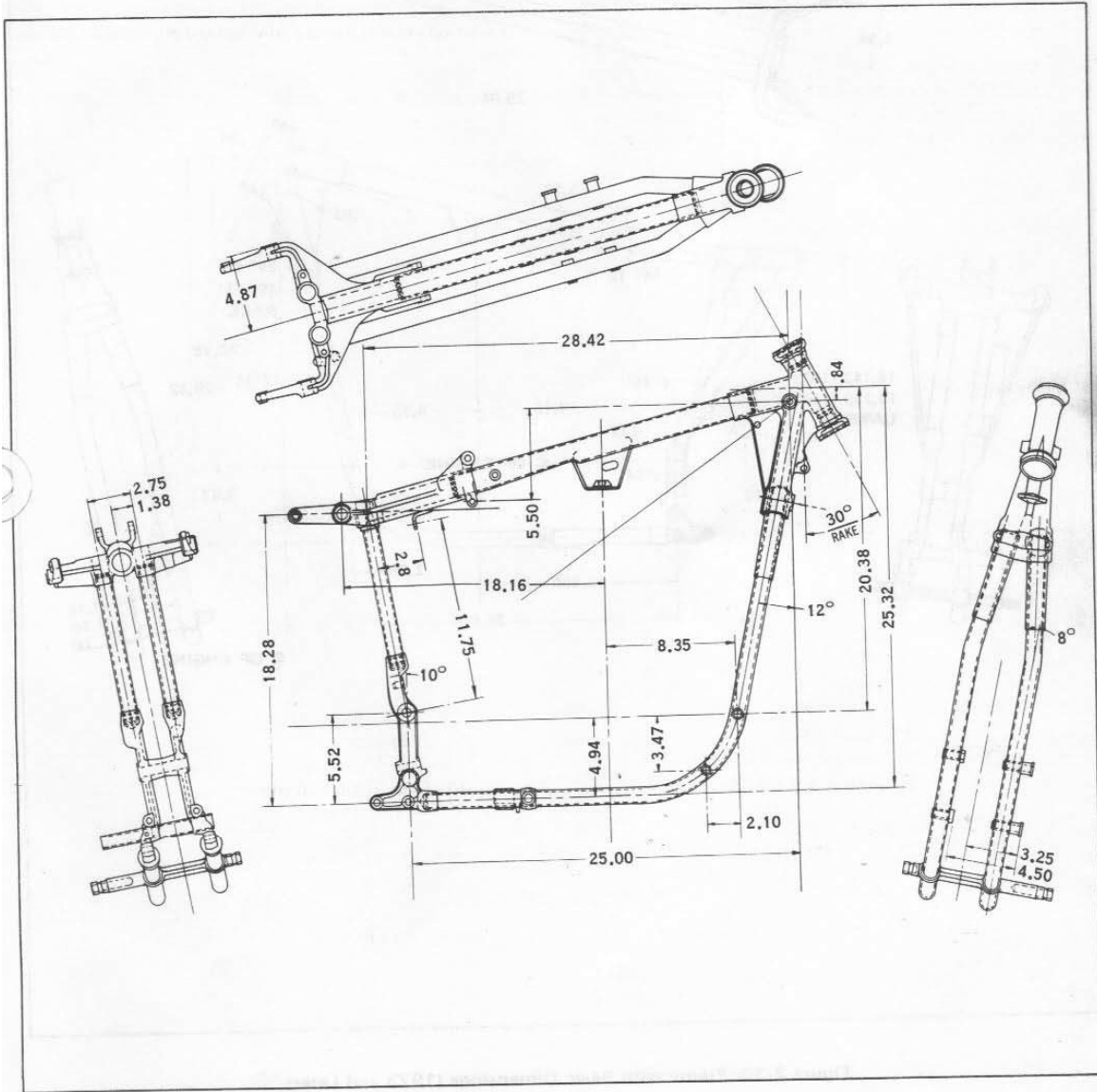


Figure 2-29. Frame with Basic Dimensions (1970-72)