



INSTRUCTIONS

-J00249

REV. 5-1-94

Kit Number 53391-94

CHROME 4-CHANNEL LUGGAGE RACK

General

The chrome 4-channel luggage rack kit is designed for installation on all 1994 and later FLHR model vehicles.

The kit contains the following items:

QTY.	DESCRIPTION
1	Left Inner Channel
1	Right Inner Channel
1	Backrest Weldment
6	Long Spacer, 1-1/16 In.
2	Short Spacer, 1 In.
2	Threaded Rod
2	Outer Channel
1	Left Support Brace
1	Right Support Brace
4	Lockwasher
4	Hex Nut
1	License Plate Bracket
1	License Plate Adjuster
1	Lockwasher
1	Nut
1	Carriage Bolt
2	Reflector

NOTE

Four additional spacers (packaged separately) are provided for use in the event that the rider chooses not to install the backrest weldment. See *Luggage Rack, Assembly*, page 2.

Installation

1. Assemble luggage rack. See *Assembly*, page 2.
2. See Figure 1. Raise lid of saddle bag on right side of vehicle. Remove two bolts within saddlebag to detach unit from front and rear mounting brackets. Remove saddlebag from vehicle.
3. See Figure 2. Loosen Phillips screw from chrome frame tube cover. Remove bolt (with flat washer) to remove saddlebag front mounting bracket and passenger strap. Raise up and remove frame tube cover.
4. See Figure 3. At rear of vehicle, remove outside bolt (with locknut) securing saddlebag support rail to lower flange of saddlebag support bracket.
5. Remove inside bolt (with locknut) securing rear bumper support rail and saddlebag support rail to lower flange of saddlebag support bracket.
6. See Figure 4. Locate two bolts securing upper flange of saddlebag support bracket to rear fender.
7. Holding locknut inside rear fender, remove rearward bolt (with flat washer only). Remove locknut from under fender. Remove 1/2 inch spacer between fender and license plate bracket.

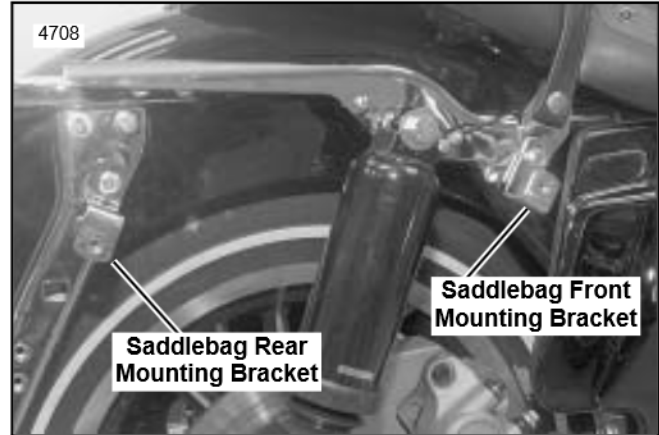


Figure 1. Remove Saddlebag from Mounting Brackets

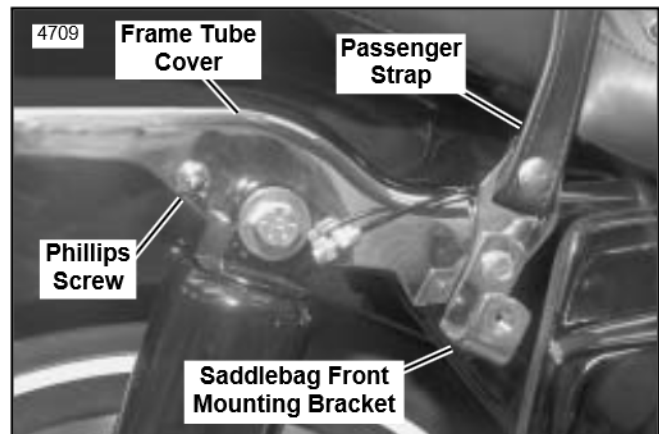


Figure 2. Remove Frame Tube Cover

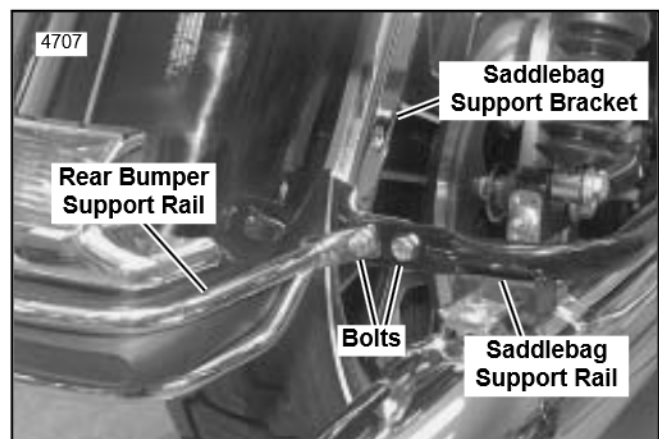


Figure 3. Remove Lower Saddlebag Support Bracket Bolts

8. Remove forward bolt (with lock washer and flat washer) threaded into weld nut on flange of license plate bracket. Remove saddlebag support bracket from vehicle.

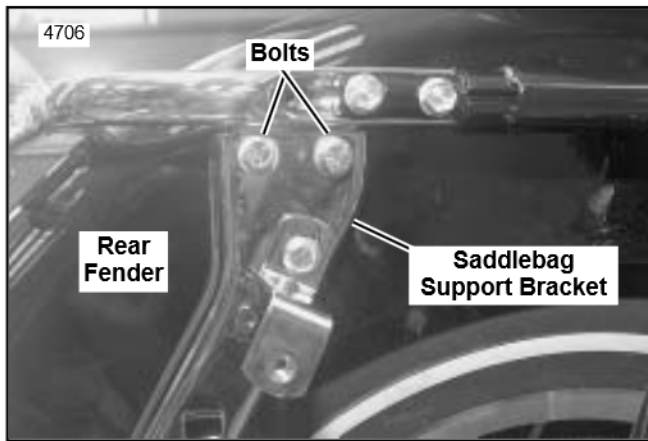


Figure 4. Remove Upper Saddlebag Support Bracket Bolts

9. See Figure 5. Locate two bolts securing U-shaped license plate bracket to ends of upper frame tube.
10. Remove rearward bolt threaded into nut plate on flange of license plate bracket.
11. Holding locknut inboard of license plate bracket, remove forward bolt from bracket and frame tube.

NOTE

Locknut is provided with rubber bumper for fender paint protection.

12. Repeat steps 2-11 on left side of vehicle.
13. Slide license plate bracket off ends of right and left frame tubes.
14. With backrest in front, slide luggage rack onto ends of right and left frame tubes.
15. See Figure 5. Install two bolts (1-1/4 inches) to secure upper frame tube to luggage rack.

NOTE

Put away locknut with rubber bumper since luggage rack is tapped for both bolts (license plate bracket had nutplate in the rearward position only).

16. Position saddlebag support bracket so that lower flange is in front of rear bumper support rail and saddlebag support rail flanges.
17. Hang saddlebag support bracket by starting upper front bolt (5/8 inch, with lock washer and flat washer) into weld nut on luggage rack flange.
18. See Figure 3. Returning to the lower flange, insert outside bolt (3/4 inch, with lock nut) through saddlebag support rail and saddlebag support bracket flanges; loosely install locknut.
19. Insert inside bolt (3/4 inch, with lock nut) through rear bumper support rail, saddlebag support rail and saddlebag support bracket flanges; loosely install locknut.
20. See Figure 4. Returning to upper flange of saddlebag support bracket, position 1/2 inch spacer between luggage rack flange and rear fender. Insert rear bolt (1-1/2 inches, with flat washer only) through saddlebag support bracket, luggage rack flange, 1/2 inch spacer and fender; install locknut from inside fender.
21. Alternately tighten upper and lower flange bolts of saddlebag support bracket.

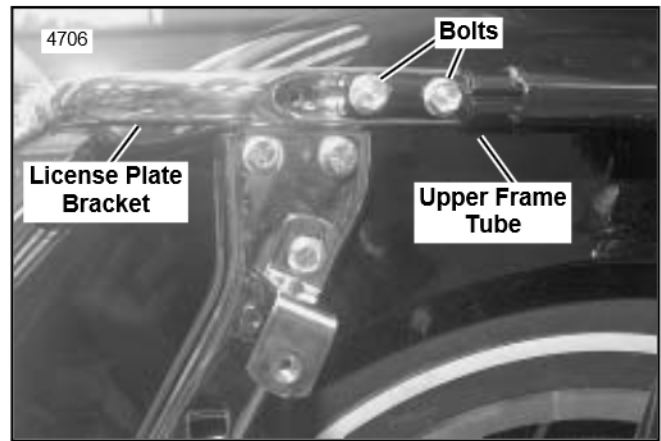


Figure 5. Remove Frame Tube/License Plate Bracket Bolts

22. Slide on chrome frame tube cover so that the large slot is inboard of rear washer on upper shock mounting screw, while small slot is inboard of Phillips screw loosely installed.
23. See Figure 2. Insert bolt (3/4 inch, with flat washer) through slotted hole of saddlebag front mounting bracket. Slide threaded end of bolt through hole in passenger strap and into forward hole in chrome frame tube cover. Tighten Phillips screw.
24. See Figure 1. Loosely install two bolts (1 inch) within saddlebag to fasten unit to mounting brackets. Move the front mounting bracket as necessary to align weldnut with bolt hole in saddlebag. Tighten front saddlebag mounting bracket bolt. Tighten bolts within saddlebag to secure unit to mounting brackets.
25. Open lid of saddlebags. Peel off protective strip and center one reflector at the rear of each saddle bag approximately 1 inch below the upper edge. Position reflector carefully before firmly pressing into place. Strength of adhesive makes reflector very difficult to remove after installation.

⚠WARNING

Load capacity of the luggage rack is 10 lbs. maximum. Overloading may lead to handling problems resulting in personal injury and/or property damage.

Luggage Rack - Assembly

1. See Figure 1. Locate inner channels by rounded cuts on one end. Lay inner channels side by side on a flat table with the cutout end flush with the edge. Verify that the cutouts face outside in opposite directions.
2. See Figure 2. Place the backrest upside down inside the inner channels so that it overhangs the edge of the table and the grooves on the backrest bracket are aligned with the holes on the cutout side of the inner channels.
3. Separate spacers, two small and six large.
4. See Figure 3. Position two large spacers between the two inner channels, front and rear.
5. On the backrest side, position the two smaller spacers inside the inner channels between the backrest bracket and the inboard side of the channel.

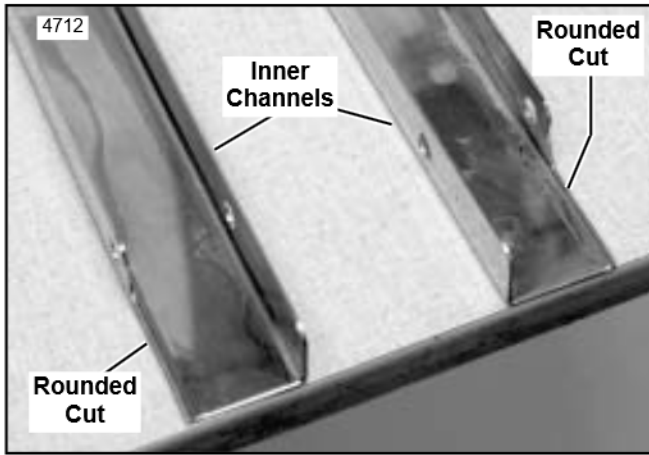


Figure 1. Orient Inner Channels

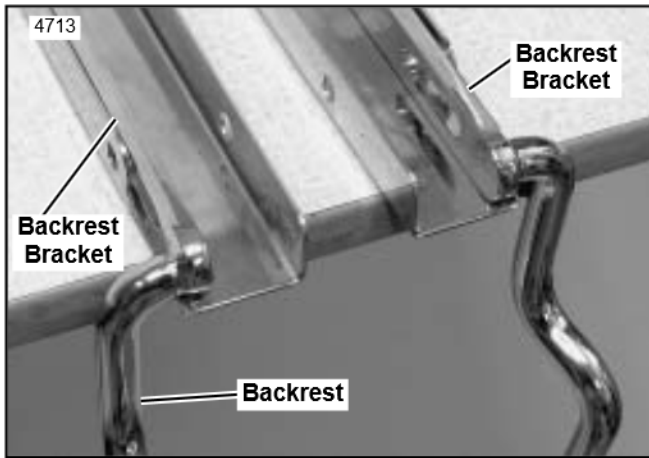


Figure 2. Position Backrest

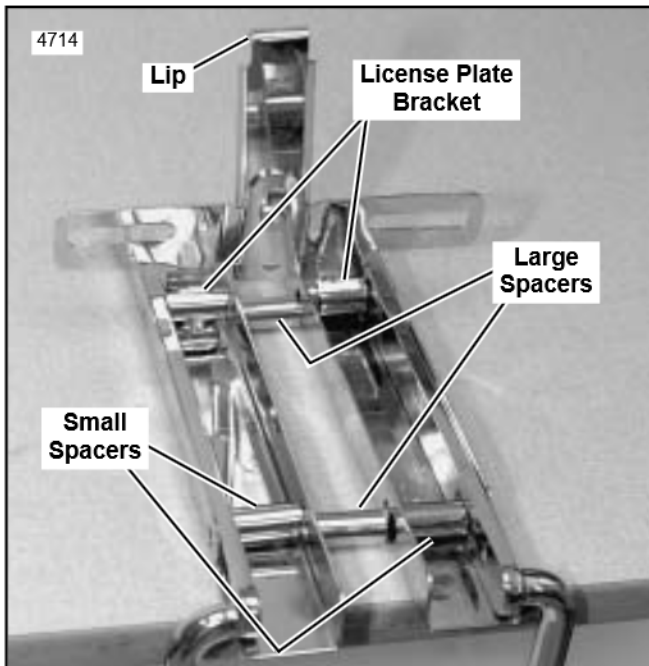


Figure 3. Position Inside Spacers/License Plate Bracket

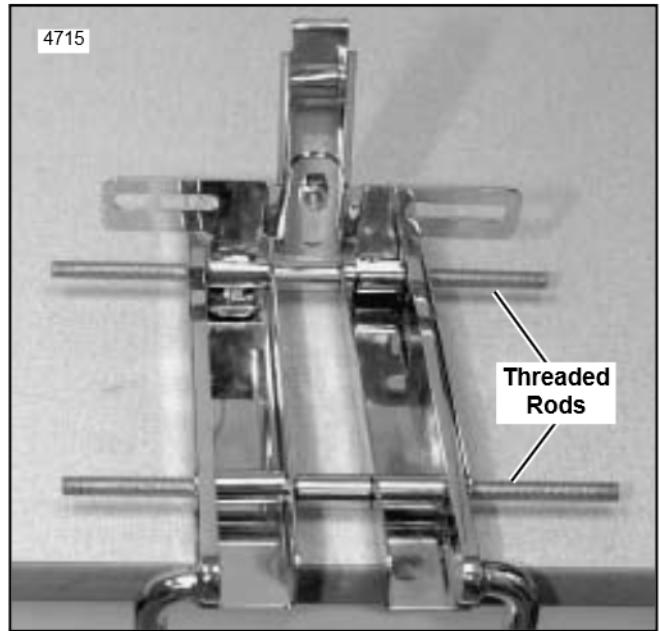


Figure 4. Install Threaded Rods

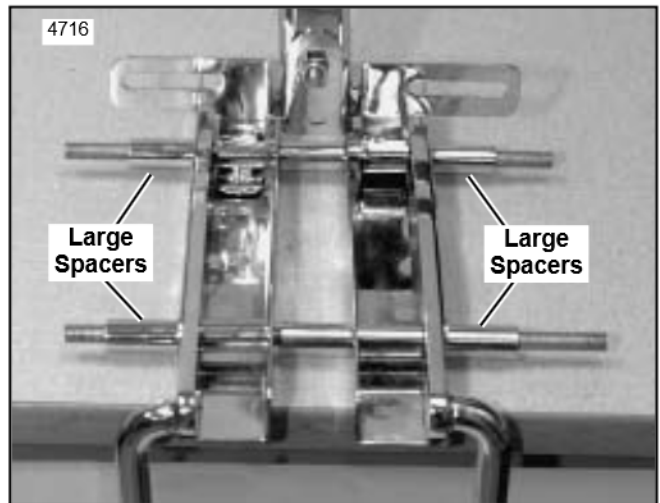


Figure 5. Install Outside Spacers

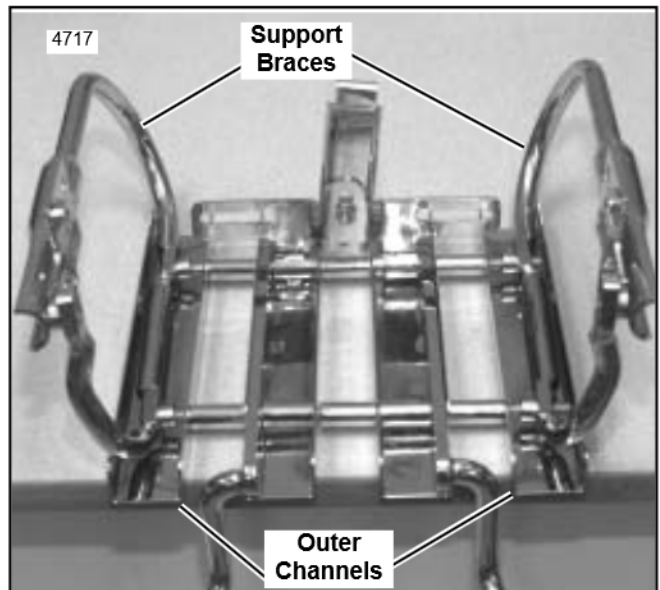


Figure 6. Position Outer Channels and Support Braces

- Fasten license plate adjuster to license plate bracket using carriage bolt, lockwasher and nut. At the rear of the luggage rack, position the license plate bracket as the small spacers are positioned in front. Be sure that the lip that catches the bottom of the license plate faces away from the backrest.

NOTE

Two 1-1/4 inch spacers and two 1/4 inch spacers (packaged separately) are provided for use in the event that the rider chooses not to install the backrest weldment. Looking back at Figure 3, the two 1-1/4 inch spacers replace those that fit inside the inner channels at the front of the assembly (backrest side). At the rear, the 1/4 inch spacers fit between the license plate bracket and the outboard side of the inner channels.

- See Figure 4. At the front (backrest side), slide a threaded rod through the inner channels, backrest bracket and

spacers. At the rear, slide the second rod through the inner channels, backrest bracket, license plate bracket and spacer.

- See Figure 5. Slide the four remaining spacers down each end of the rod (front and rear) until they contact the outboard side of the inner channels.
- See Figure 6. Start the outer channels on the threaded rods so that the rod ends enter the outer channels about 1/4 inch. With the mounting flange of each support brace at the front (backrest side) and facing inboard, place support braces on rod ends inside outer channels.
- Install lockwashers and hex nuts on rod ends and tighten.
- Install luggage rack. See Installation, page 1.



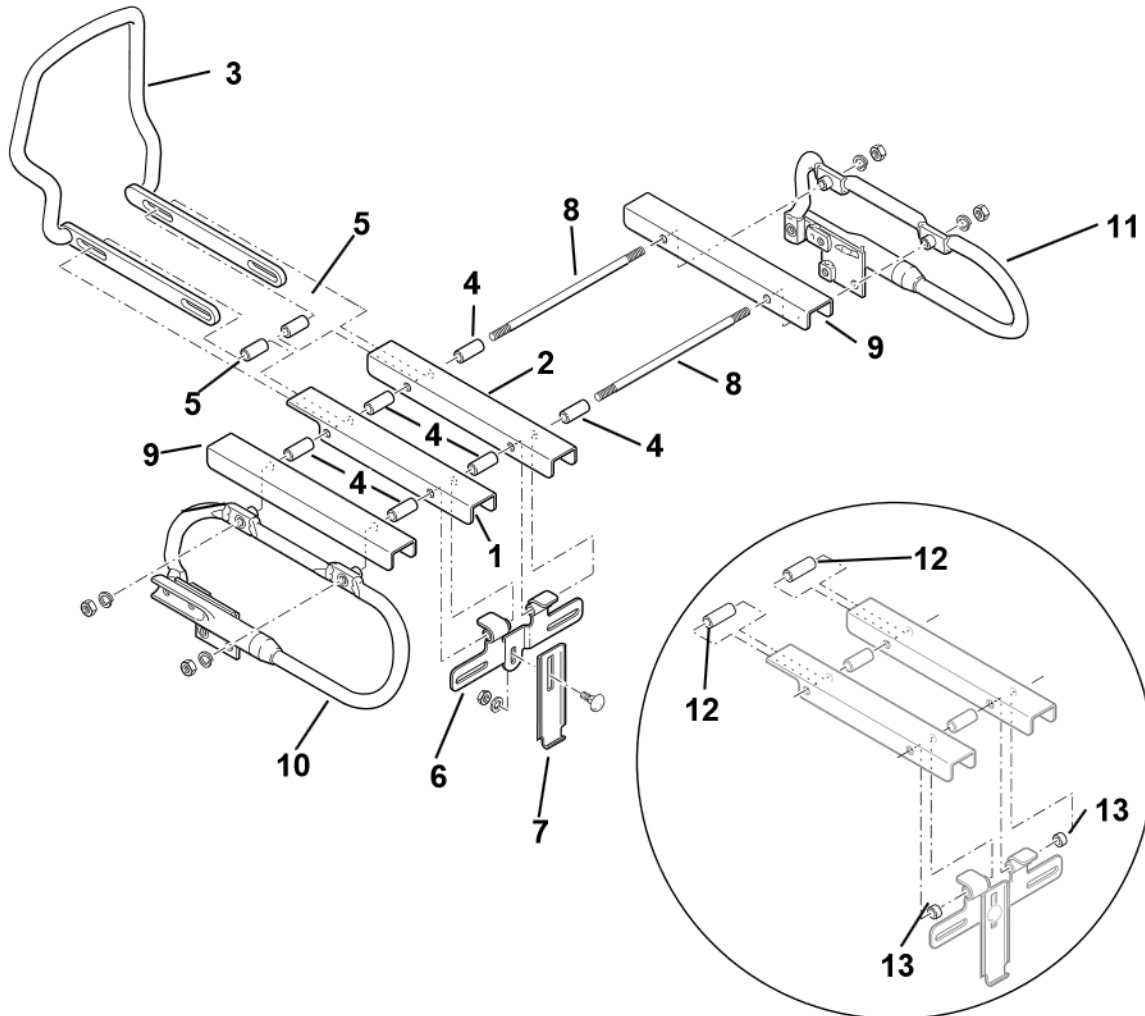
Service Parts

Part No. 53391-94

Date 5-94

Chrome 4-Channel Luggage Rack

sp53391



Item	Description	Part No.
1	Left Inner Channel	53324-94
2	Right Inner Channel	53322-94
3	Backrest Weldment	53335-94
4	Spacer, long 1-1/16 In.	53329-94
5	Spacer, short 1 In.	53328-94
6	License Plate Bracket	53333-94
7	License Plate Adjuster	53334-94

Item	Description	Part No.
8	Threaded Rod	53330-94
9	Outer Channel	53327-94
10	Left Support Brace	53320-94
11	Right Support Brace	53321-94
12	Spacer, 1-1/4 In.	53336-94
13	Spacer, 1/4 In.	53337-94