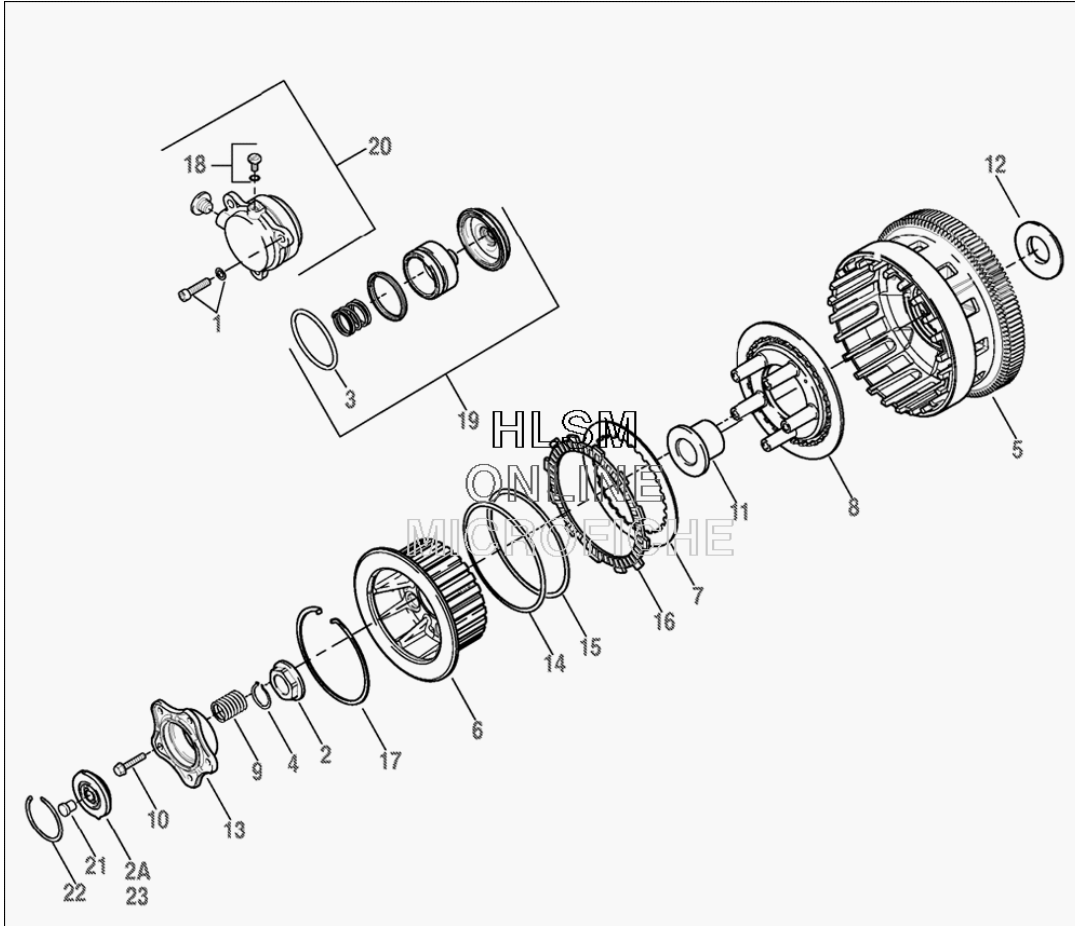


(close window)

**Ronnie's Harley-Davidson's**  
501 Wahconah St  
Pittsfield, MA 01237  
833-363-3633 Ext 22  
<http://www.shopronniesharleydavidson.com/>

**2002 Harley Davidson**  
**VRSCA V-ROD® (HA)**  
**CLUTCH ASSEMBLY**  
January 10, 2019



(prices subject to change without notice)

REF. NO.	PART NUMBER	DESCRIPTION	REQ	Ronnies' PRICE EACH
1	1009M	SCREW	3	1.49
2	8008M	NUT	1	16.49
2A	8885	BEARING	1	10.49
3	11347K	O-RING	1	3.99
4	11363K	RETAINING RING	1	1.49
5	36699-01KB	CLUTCH SHELL	1	427.99
6	36701-01K	CLUTCH HUB	1	136.49
7	36702-01K	CLUTCH PLATE	8	9.49
8	36704-01K	CLUTCH PRESSURE PLATE	1	53.99
9	36705-01K	SPRING, PRESSURE PLATE	5	4.99
10	36706-01K	BOLT	5	1.49
11	36707-01K	COLLAR, DISTANCE	1	38.99
12	36709-01K	THRUST WASHER	1	12.49
13	36710-01K	LIFTER PLATE	1	33.99
14	36711-01K	SEAT, SPRING	1	7.49
15	36712-01K	SPRING	1	14.49
16	36713-01K	FRICTION PLATE	9	22.99
17	36714-01K	RETAINING CLIP	1	10.99
18	36759-01K	BLEEDER SCREW KIT W/O-RING	1	
19	36769-01KA	SECONDARY CLUTCH ACTUATOR, REPAIR KIT	1	53.99
20	36779-01KA	SECONDARY CLUTCH ACTUATOR W/ REF # 3	1	69.49
21	36780-01K	CONTACT BUTTON	1	2.99
22	37909-90	RETAINING RING	1	11.99
23	37918-91	RELEASE PLATE W/BEARING	1	

[\(close window\)](#)

**Ronnie's Harley-Davidson's**  
**501 Wahconah St**  
**Pittsfield, MA 01237**  
**833-363-3633 Ext 22**  
<http://www.shopronniesharleydavidson.com/>

**2002 Harley Davidson**  
**VRSCA V-ROD® (HA)**  
**CLUTCH ASSEMBLY**  
 January 10, 2019

